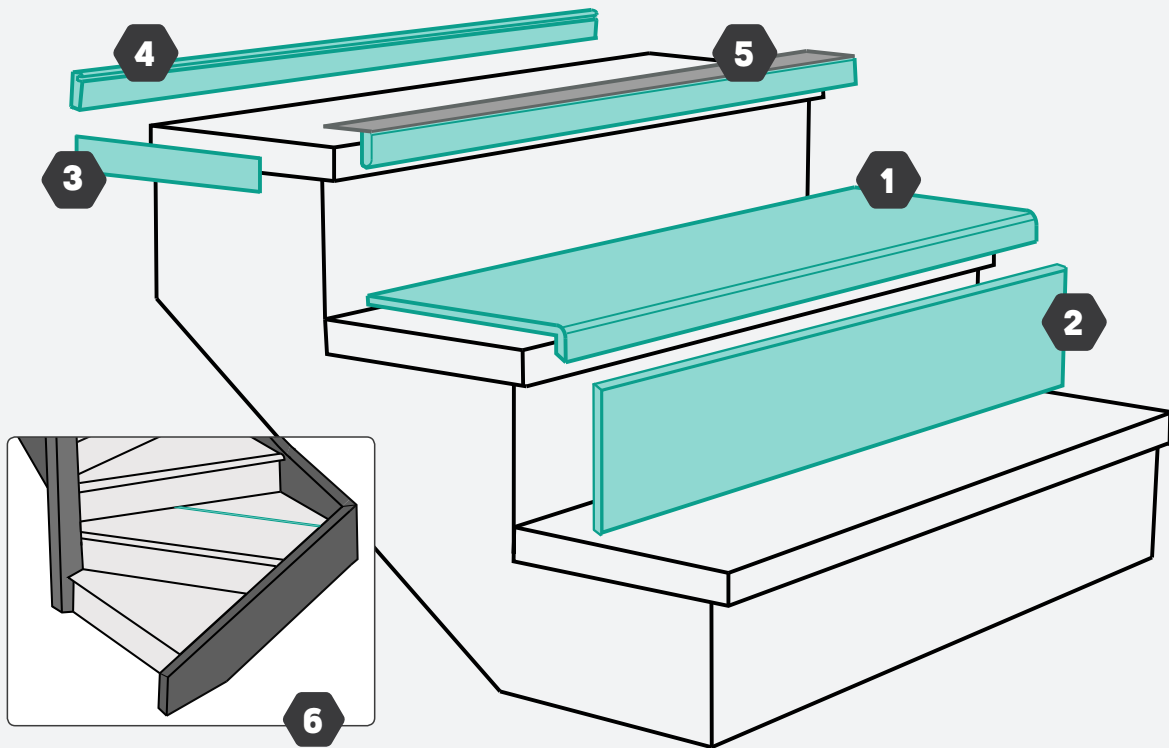
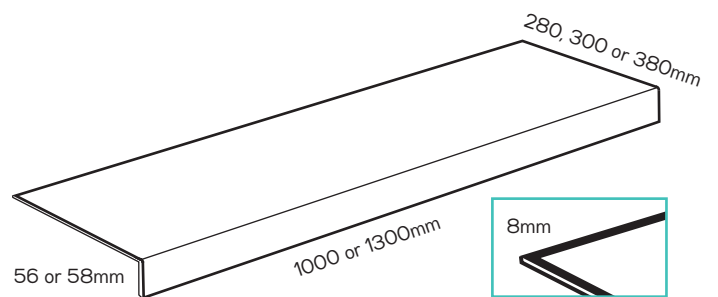


TECHNICAL DETAILS



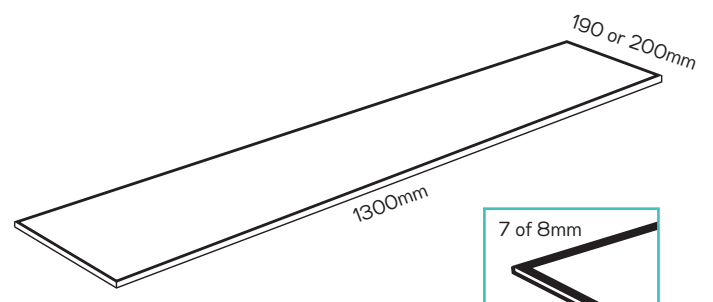
1. TREAD

Dimensions	<p>laminate 300 x 1000 x 56mm 380 x 1300 x 56mm</p> <p>veneer 280 x 1000 x 58mm 380 x 1300 x 58mm</p>
Material	Base: MDF - top layer: CPL
Pieces/pack	1
Remark	Wear resistance: AC4



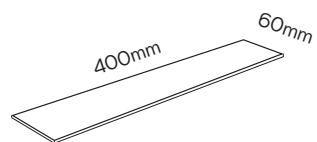
2. RISER

Dimensions	<p>laminate 200 x 1300 x 8mm</p> <p>veneer 190 x 1300 x 7mm</p>
Material	Base: MDF - top layer: CPL
Pieces/pack	3



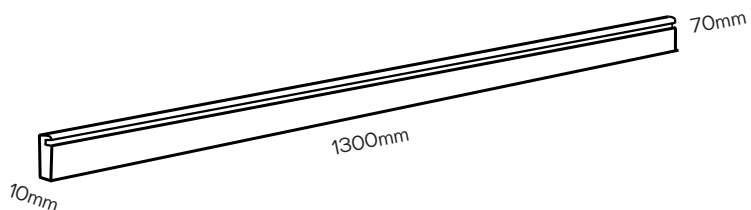
3. SIDE COVER

Dimensions	400 x 60mm
Material	CPL
Pieces/pack	2



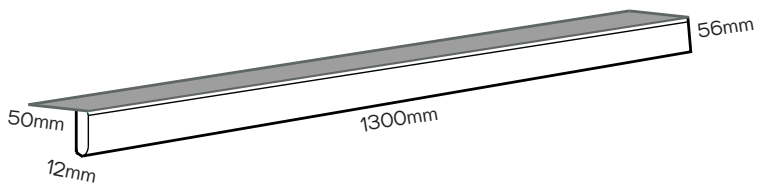
4. OPEN STAIRCASE PROFILE

Dimensions	10 x 70 x 1300mm
Material	Base: MDF - top layer: CPL
Pieces/pack	1



5. STAIR HEAD + ALUMINUM PROFILE

Dimensions	12 x 56 x 1300mm ALU: 30 x 50 x 1300mm
Material	Base: MDF - top layer: CPL
Pieces/pack	1



6. CONNECTING SPRING

Dimensions	3 x 10 x 400mm
Material	MDF
Pieces/pack	4

